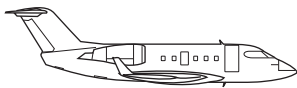


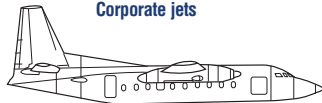
GPU 4000T



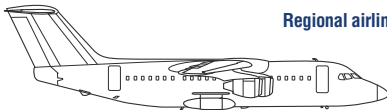
Typical power plant:* ALF 502, TPE 331, TFE 331, TFE 731, PW Twin Pack, Makila, PW120, PW305A



Corporate jets



Regional airliners



30-seat helicopters with shaft turbines

These recently upgraded GPU 2000 packs joined in parallel provide the combination of a hand-portable module with the extra amp/hr capacity to start heavier turbines.

With the same push/pull isolator with replaceable contacts and mini 110/220 volt internal chargers, these packs are designed for everyday use and to be serviced and operated in the field in very harsh environments.

SPECIFICATION

Individual GPU data as for 2000 pack

Combined cell capacity 74 amp/hrs (packs connected in parallel)

Peak amps 4000

Overall dimensions: packs including trolley:

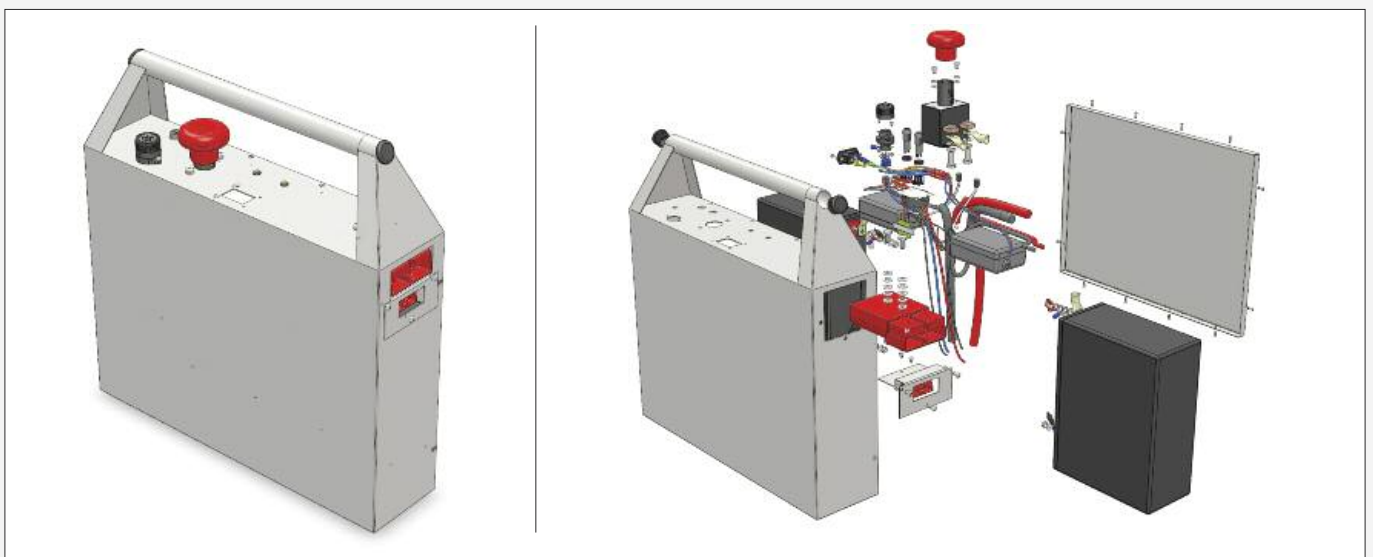
Height	Length	Width	Weight
1000mm (39in)	450mm (15in)	460mm (18in)	85kg (191lbs)

FEATURES

- Supplied as standard with GPU parallel connecting yoke and trolley with 200mm (8in) diameter rubber wheels and frame of 30mm diameter yellow powder-coated tubular steel. Pack locates forward of wheels
- Fitted with neoprene anti-slip shock-absorbent feet
- Internal mini charger, 110/240V 50/60Hz mains input

OPTIONS

- 28V DC 40 or 80 amp switch-mode power supply
- 4 amp or 10 amp 24V rapid charger, 110/240V 50/60Hz mains input
- Single trolley
- Woven nylon padded jacket for transportation/pack protection
- Bolt-on trolley shelf to accept 40 or 80 amp power supply unit



Designed for tough field use side by side as a GPU400T, this twin pack delivers immense power

*This information is given in good faith. See disclaimer, page 2